

POWER AMPLIFIER

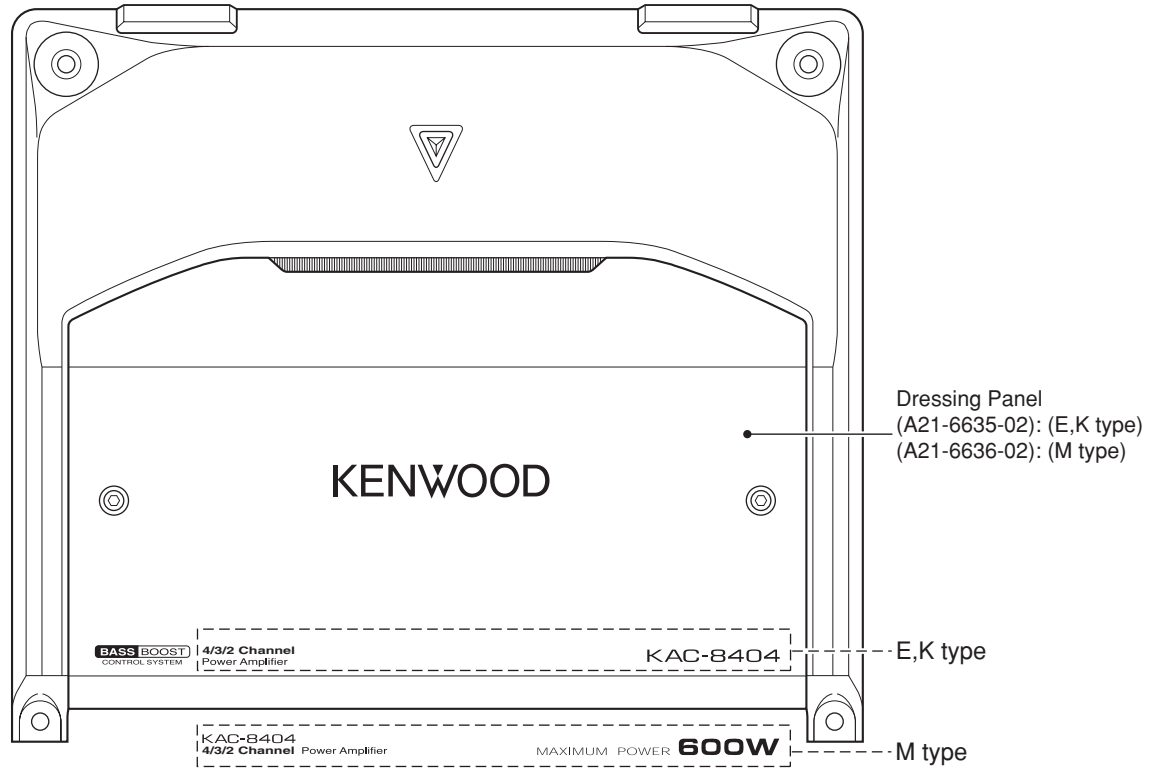
# KAC-8404

## SERVICE MANUAL

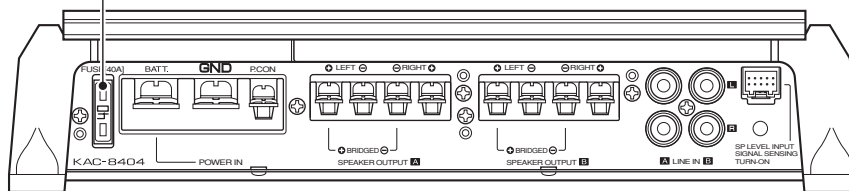
# KENWOOD

Kenwood Corporation

© 2007-11 PRINTED IN JAPAN  
B53-0600-00 (N) 519



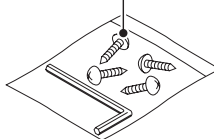
Fuse (40A)  
(F52-0016-05)



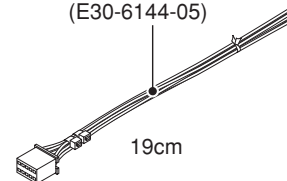
Accessories  
(W01-1606-05)



Screw & wrench key set  
(N99-1820-05)

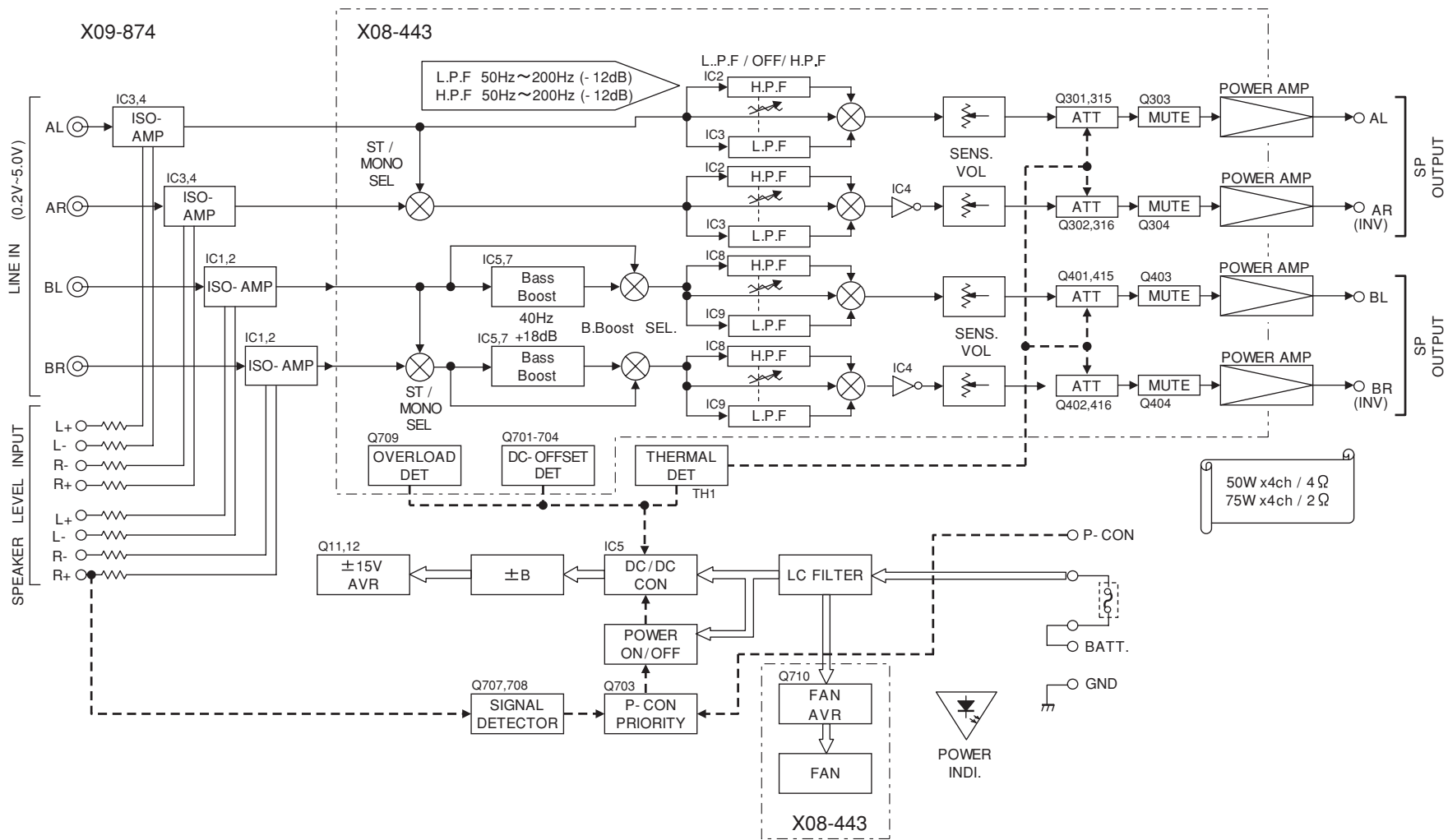


Connecting cord assy  
(E30-6144-05)



This product uses Lead Free solder.  
This product complies with the **RoHS** directive for the European market.

BLOCK DIAGRAM



## COMPONENTS DESCRIPTION

### ● PREAMPLIFIER UNIT (X08-4430-10)

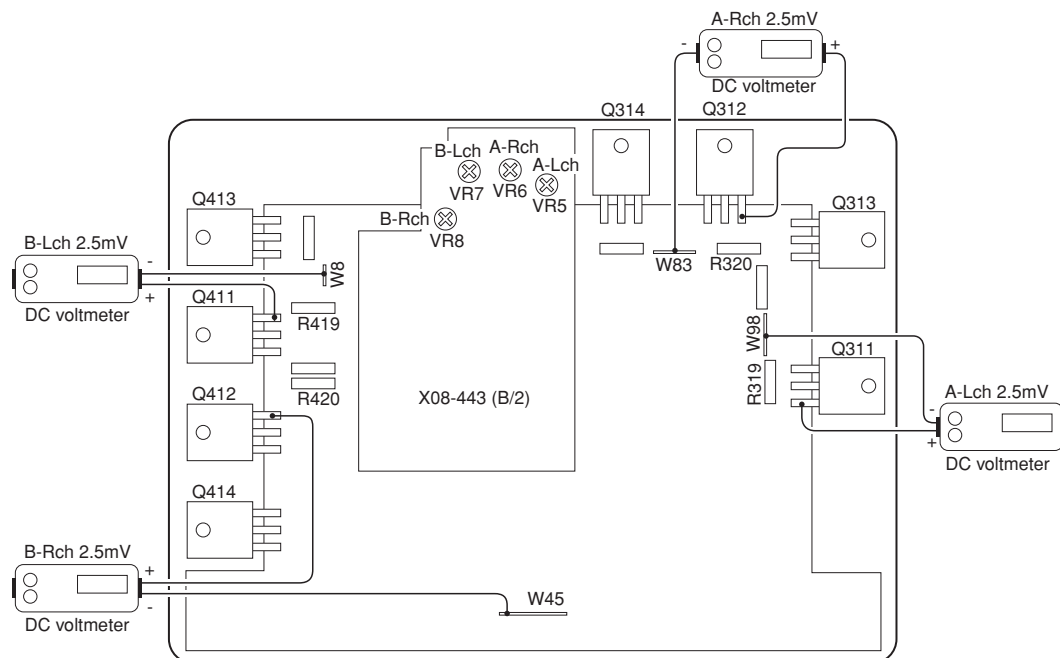
Ref. No.	Application/Function
IC1-3	HPF, LPF
IC4	Reverse circuit
IC5,7	Bass Boost
IC6,8,9	HPF, LPF
IC10	Attenuator circuit
Q301,302,315,316, Q401,402,415,416	Attenuator circuit
Q303,304,403,404	Mute circuit
Q305-308,Q405-408	Differential circuit (First stage)
Q309,310,313,314, Q409,410,413,414	Differential circuit (Second stage)
Q311,312,411,412	Current mirror
Q701-704	DC protection
Q705-708	Shock noise mute
Q709	Over current detection
Q710	Stabilized power supply

### ● AUDIO UNIT (X09-8740-10)

Ref. No.	Application/Function
IC1-4	Isolation circuit
IC5	DC-DC IC
Q1,2	Switch
Q3-6	Gate driver
Q7-10	DC/DC comparator
Q11,12	Constant voltage circuit
Q301,302,401,402	Temperature compensation
Q303-306,Q403-406	Over current detection
Q307-310,Q407-410	Darlington
Q311-314,Q411-414	Final stage
Q701	Voltage supply
Q702	Over voltage detection
Q703	P-CON
Q704,705	Mute driver
Q706	Shock noise mute driver
Q707,708	Auto P-CON driver

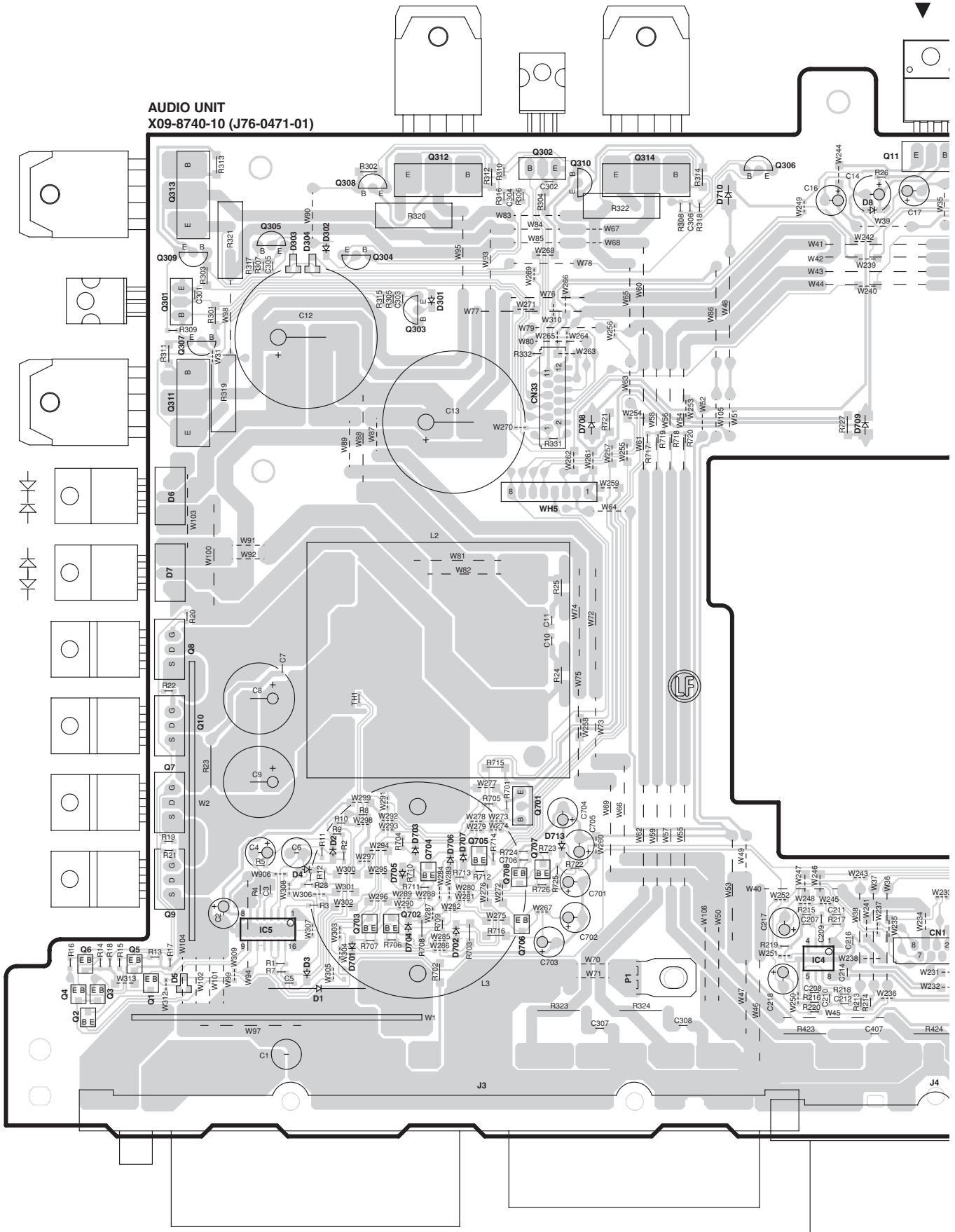
## ADJUSTMENT

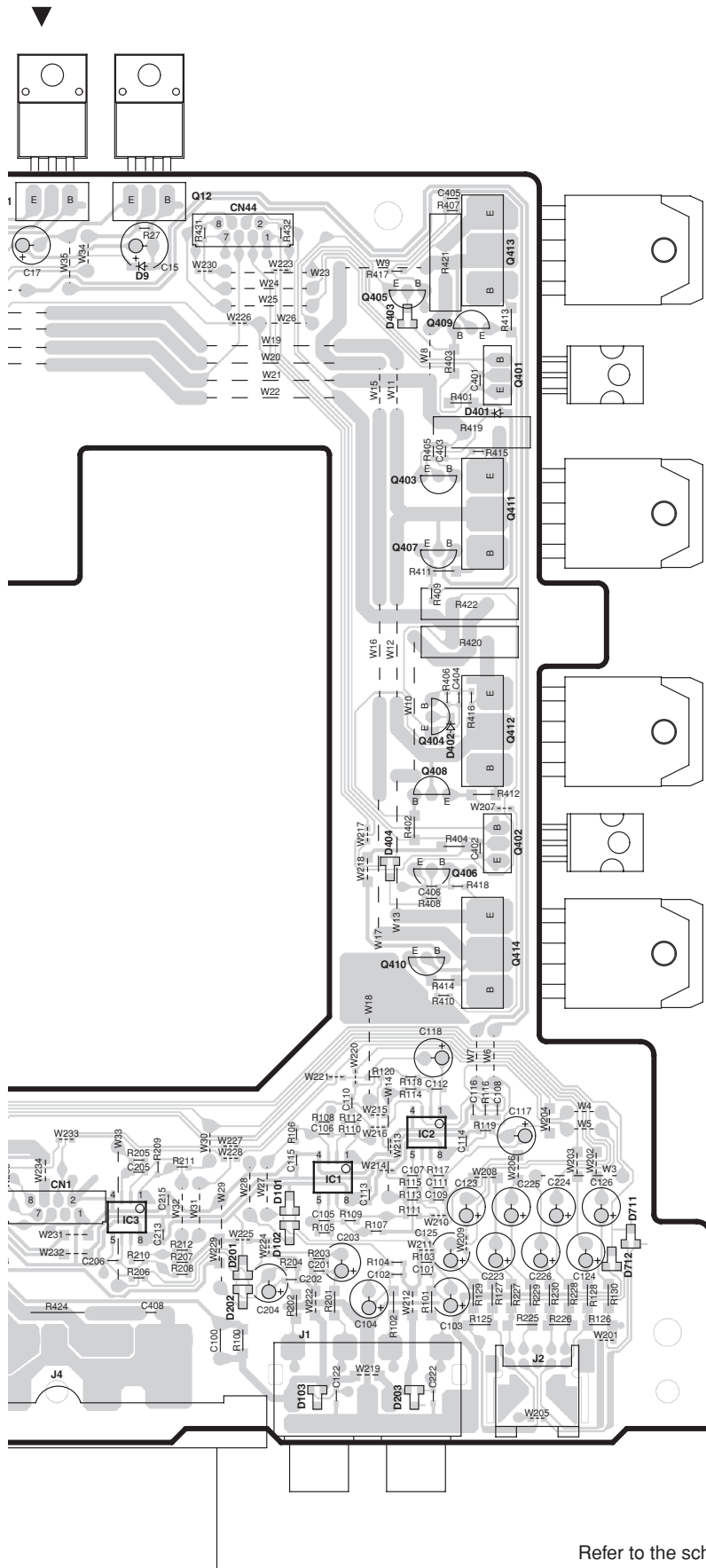
No.	ITEM	ALIGNMENT POINT	METHOD	ALIGN FOR	NOTE
1	IDEL CURRENT	VR5 (A-Lch) VR6 (A-Rch) VR7 (B-Lch) VR8 (B-Rch)	Connet a DC voltmeter between check land (Refer to a figure)	2.5mV	After Power on 5minutes



A B C D E  
1  
**KAC-8404**  
**PC BOARD (FOIL SIDE VIEW)**

AUDIO UNIT  
X09-8740-10 (J76-0471-01)





X09-8740-10

Ref. No.	Address
IC1	6G
IC2	5G
IC3	6F
IC4	6E
IC5	6B
Q1	6B
Q2	6A
Q3	6A
Q4	6A
Q5	6B
Q6	6A
Q7	5B
Q8	4B
Q9	6B
Q10	5B
Q11	2E
Q12	2F
Q301	3B
Q302	2D
Q303	3C
Q304	2C
Q305	2B
Q306	2E
Q307	3B
Q308	2C
Q309	2B
Q310	2D
Q311	3B
Q312	2C
Q313	2B
Q314	2D
Q401	3G
Q402	4G
Q403	3G
Q404	4G
Q405	2G
Q406	4G
Q407	3G
Q408	4G
Q409	2G
Q410	5G
Q411	3G
Q412	4G
Q413	2G
Q414	5G
Q701	5D
Q702	6C
Q703	6C
Q704	5C
Q705	5C
Q706	6C
Q707	5C
Q708	5C

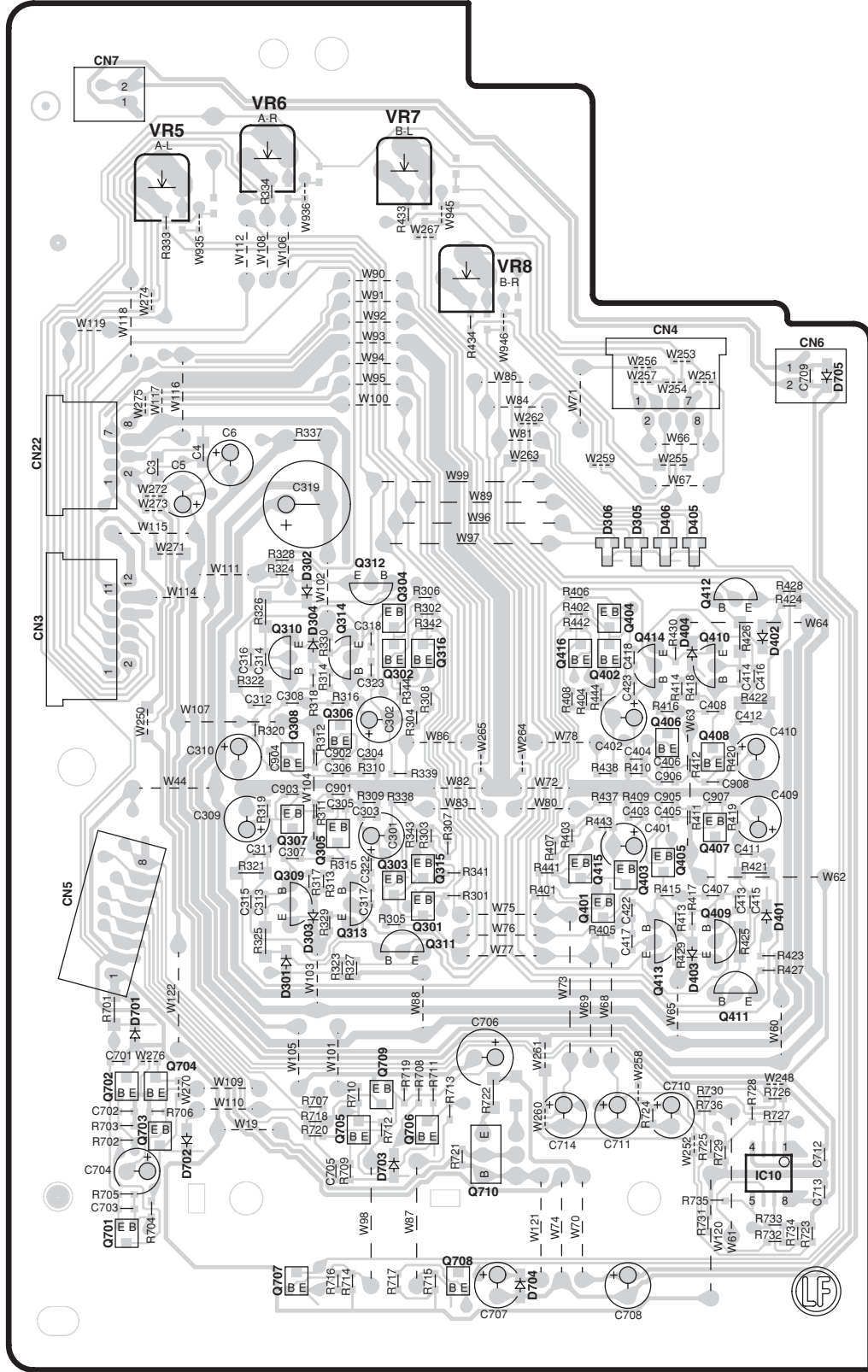
Refer to the schematic diagram for the values of resistors and capacitors.

# KAC-8404 PC BOARD (FOIL SIDE VIEW)

PREAMPLIFIER UNIT X08-4430-10 B/2 (J76-0468-02)

X08-4430-10 B/2

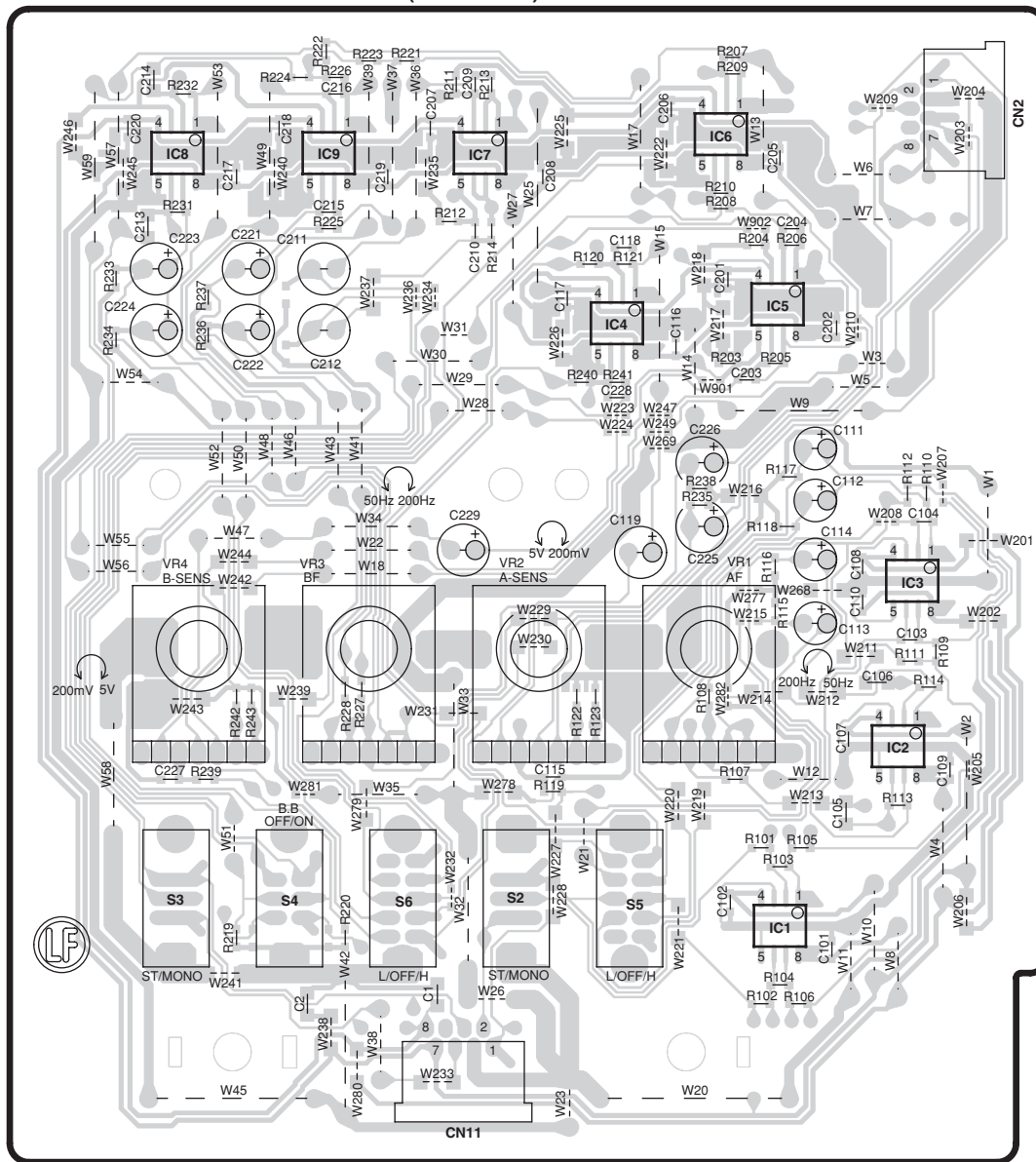
Ref. No.	Address
IC10	6N
Q301	5M
Q302	4L
Q303	5L
Q304	4L
Q305	5L
Q306	4L
Q307	5L
Q308	4L
Q309	5L
Q310	4L
Q311	5M
Q312	4L
Q313	5L
Q314	4L
Q315	5M
Q316	4M
Q401	5M
Q402	4M
Q403	5M
Q404	4M
Q405	5N
Q406	4N
Q407	5N
Q408	4N
Q409	5N
Q410	4N
Q411	5N
Q412	4N
Q413	5N
Q414	4M
Q415	5M
Q416	4M
Q701	6K
Q702	6K
Q703	6K
Q704	6L
Q705	6L
Q706	6M
Q707	6L
Q708	6M
Q709	6L
Q710	6M



Refer to the schematic diagram for the values of resistors and capacitors.

## PC BOARD (FOIL SIDE VIEW)

PREAMPLIFIER UNIT X08-4430-10 A/2 (J76-0468-02)



X08-4430-10 A/2

Ref. No.	Address
IC1	5S
IC2	4S
IC3	3S
IC4	2R
IC5	2S
IC6	2R
IC7	2R
IC8	2Q
IC9	2Q

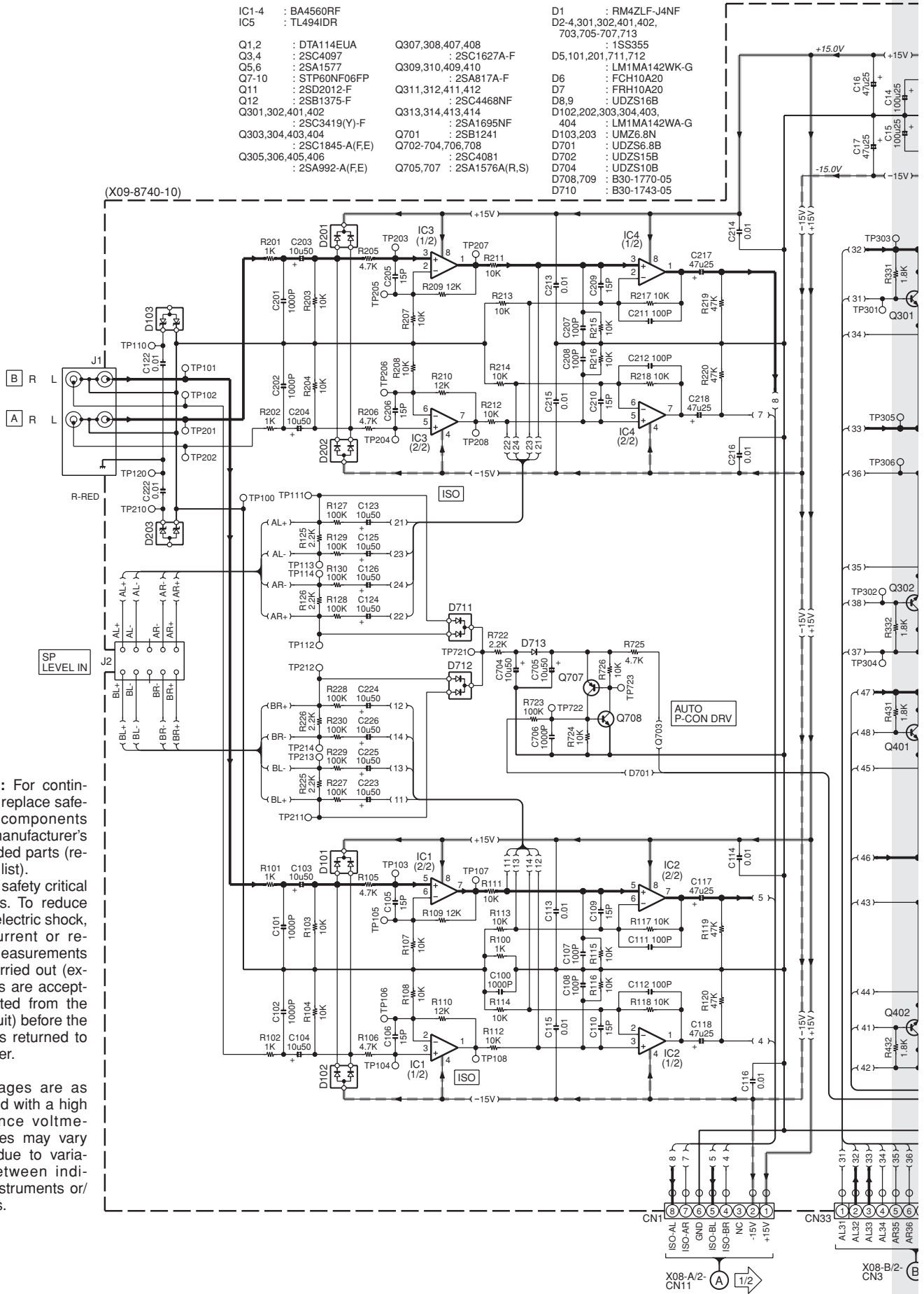
Refer to the schematic diagram for the values of resistors and capacitors.

# KAC-8404

IC1-4 : BA4560RF  
IC5 : TL494DR

Q1,2 : DTA114EUA Q307,308,407,408  
Q3,4 : 2SC4097 Q309,310,409,410  
Q5,6 : 2SA1577 Q311,312,411,412  
Q7-10 : STP60NF06FP Q313,314,413,414  
Q11 : 2SD2012-F Q315,316,415,416  
Q12 : 2SB1375-F Q317,318,417,418  
Q301,302,401,402 : 2SC3419(Y)-F Q319,320,419,420  
Q303,304,403,404 : 2SC1845-A(F,E) Q321,322,421,422  
Q305,306,405,406 : 2SA992-A(F,E) Q323,324,423,424

D1 : RM4ZLF-J4NF  
D2-4,301,302,401,402,703,705-707,713 : 1SS355  
D5,101,201,711,712 : LM1MA142WK-G  
D6 : FCH10A20  
D7 : FRH10A20  
D8,9 : UDZS16B  
D102,202,303,304,403,404 : LM1MA142WA-G  
D103,203 : UMZ6.8N  
D701 : UDZS6.8B  
D702 : UDZS15B  
D704 : UDZS10B  
D708,709 : B30-1770-05  
D710 : B30-1743-05

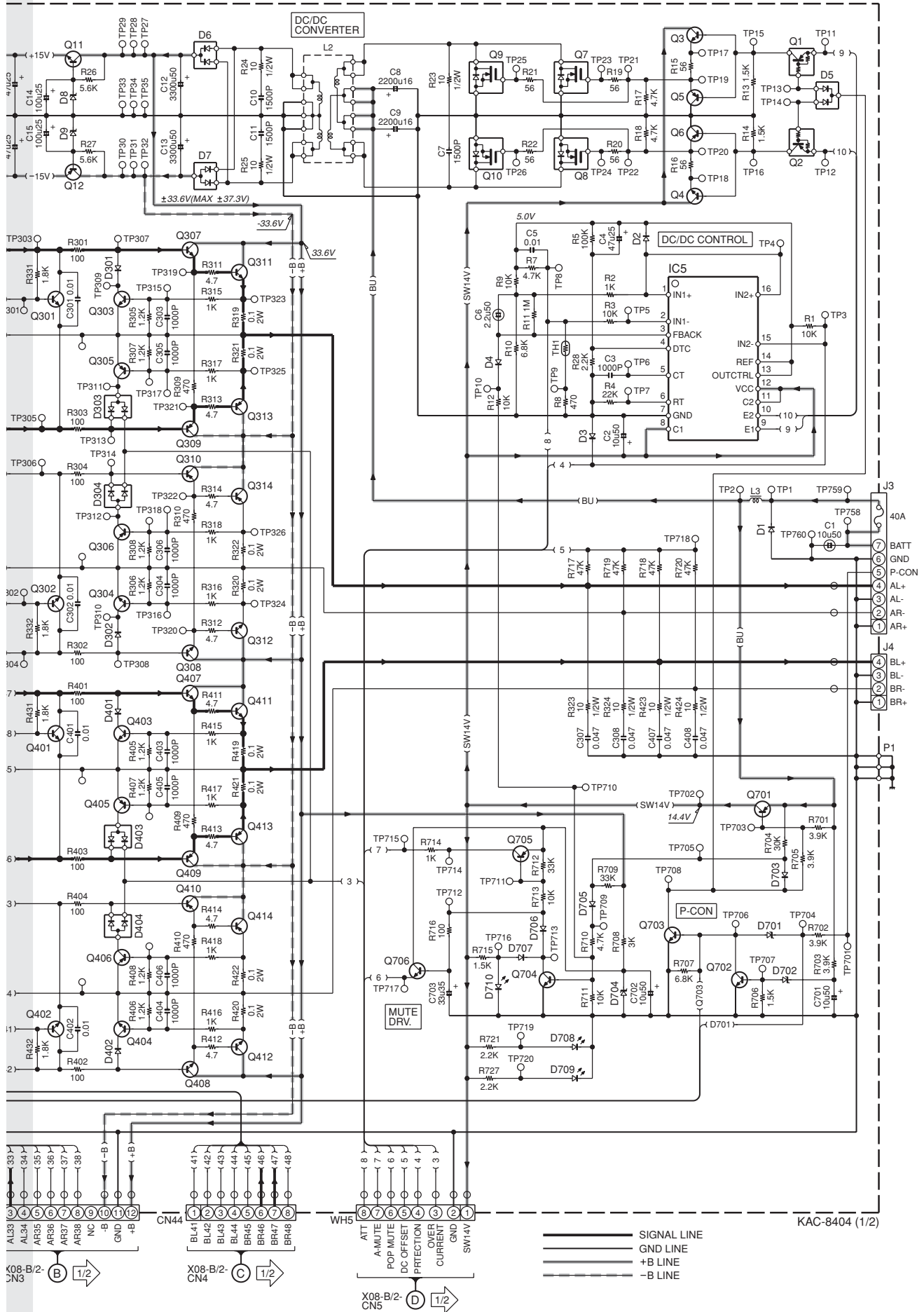


**CAUTION :** For continued safety, replace safety critical components only with manufacturer's recommended parts (refer to parts list).  
△ Indicates safety critical components. To reduce the risk of electric shock, leakage-current or resistance measurements shall be carried out (exposed parts are acceptably insulated from the supply circuit) before the appliance is returned to the customer.

• DC voltages are as measured with a high impedance voltmeter. Values may vary slightly due to variations between individual instruments or/and units.

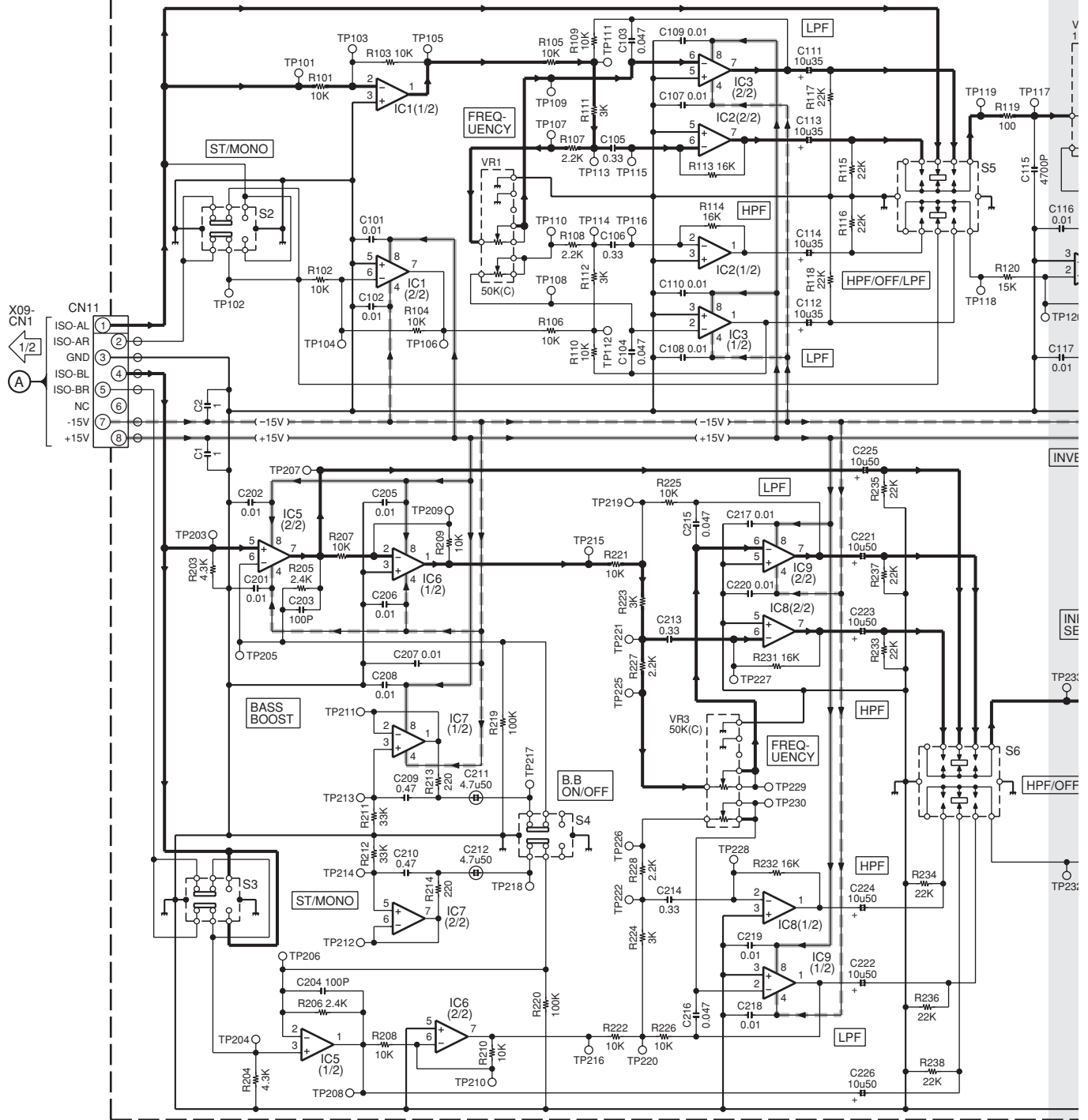


# KAC-8404



# KAC-8404

(X08-4430-10) (A/2)

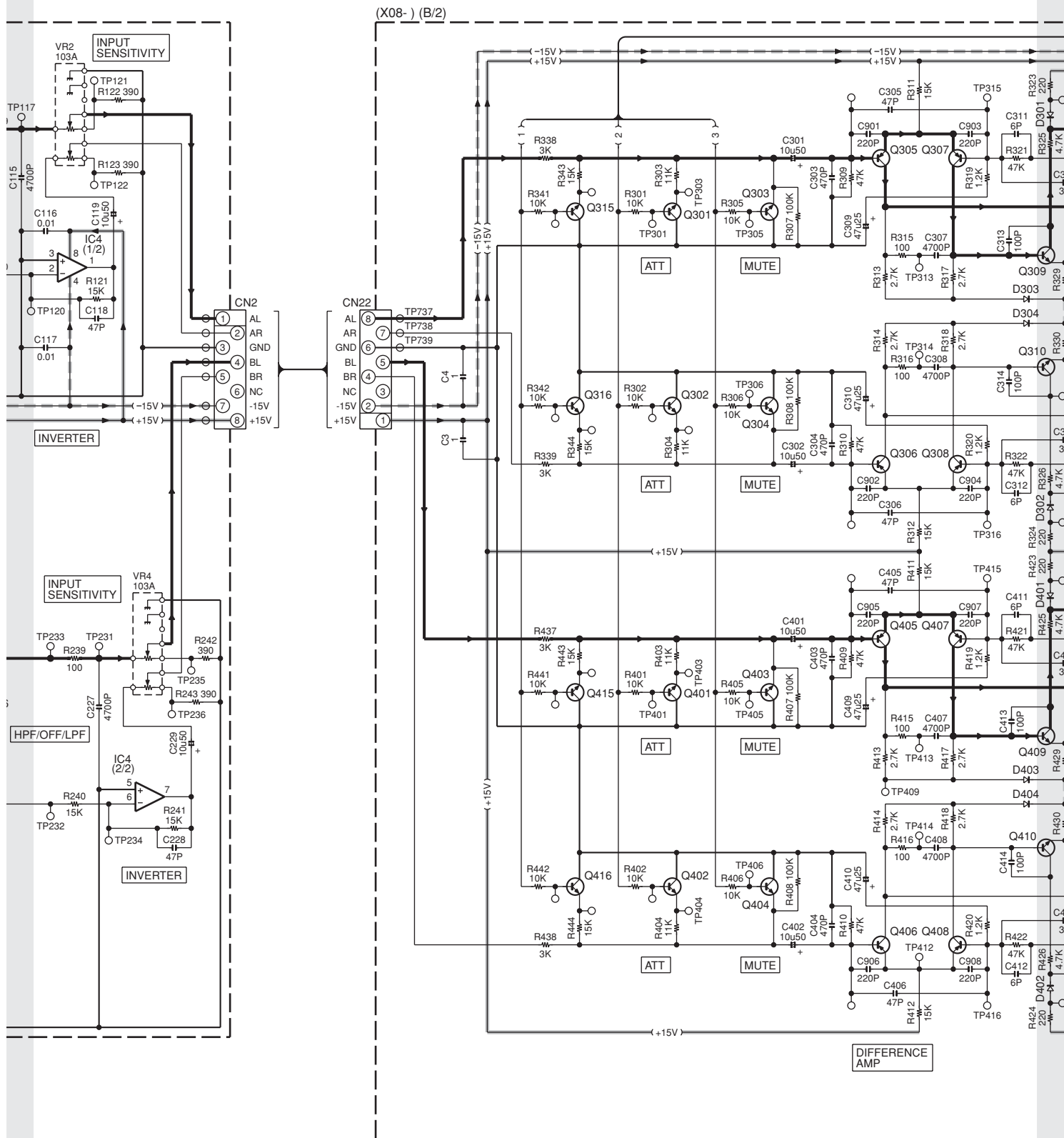


IC1-10 : BA4560RF

Q301-304,315,316,401-404,  
415,416,702-705,707,709  
: 2SC4081  
Q305-308,405-408,701,706,  
708 : 2SA1576A(R,S)  
Q309,310,313,314,409,410,  
413,414 : 2SC1845-A(F,E)  
Q311,312,411,412  
: 2SA992-A(F,E)  
Q710 : 2SD1863

D301-304,401-404,702,703,  
705 : 1SS355  
D305,405 : LM1MA142WK-G  
D306,406 : LM1MA142WA-G  
D701 : UDZS10B  
D704 : UDZS12B

— SIGNAL LINE  
— GND LINE  
— +B LINE  
— -B LINE

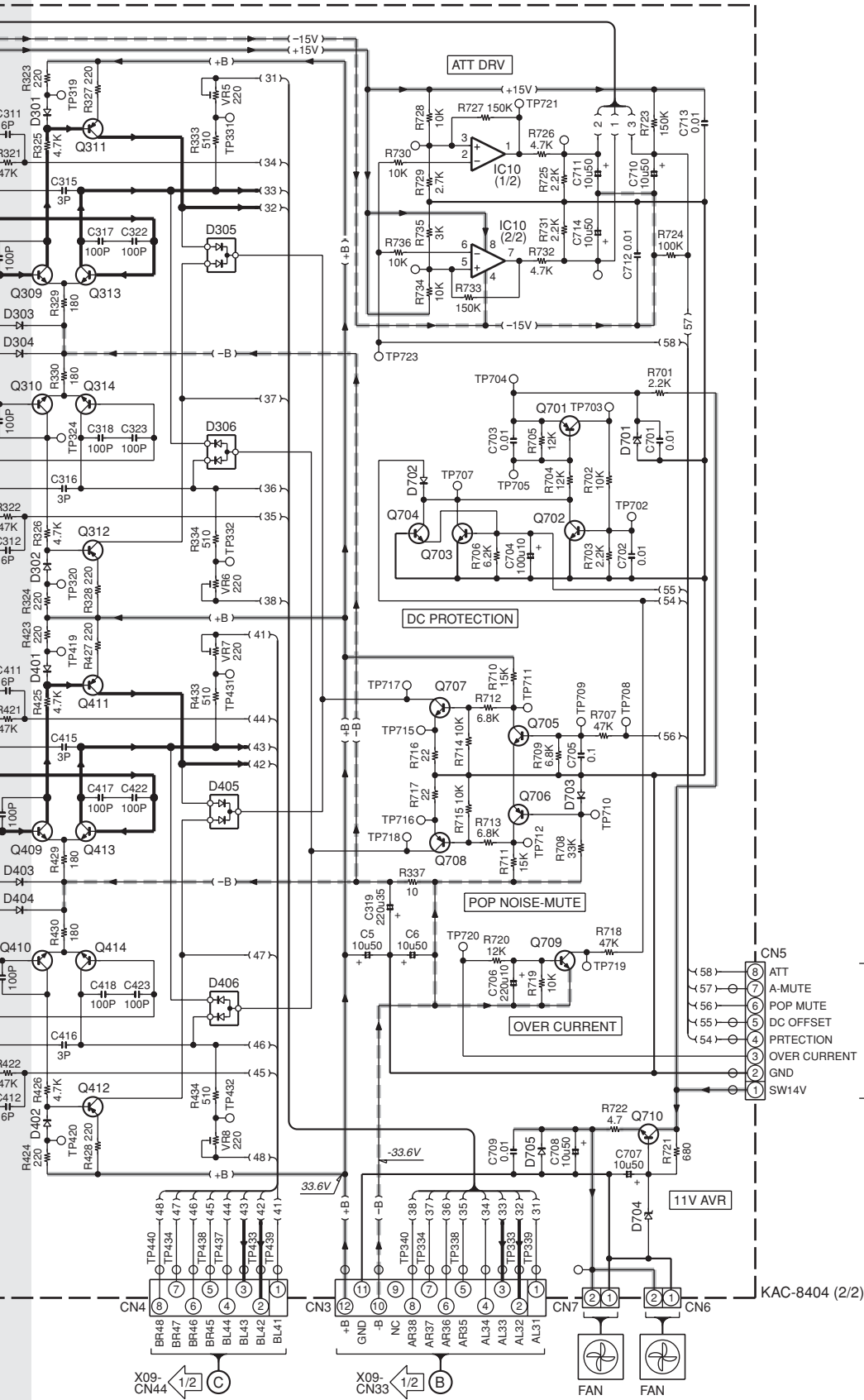


**CAUTION :** For continued safety, replace safety critical components only with manufacturer's recommended parts (refer to parts list).

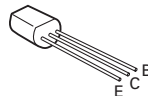
△ Indicates safety critical components. To reduce the risk of electric shock, leakage-current or resistance measurements shall be carried out (exposed parts are acceptably insulated from the supply circuit) before the appliance is returned to the customer.

- DC voltages are as measured with a high impedance voltmeter. Values may vary slightly due to variations between individual instruments or/and units.

# KAC-8404



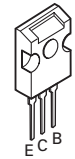
2SA817A-F  
2SA992-A  
2SC1627A-F  
2SC1845-A



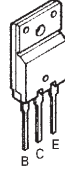
2SA1576A



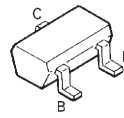
2SC3419



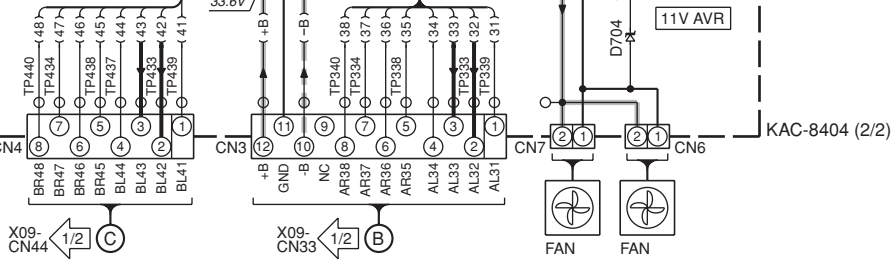
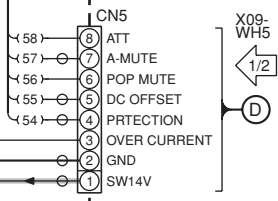
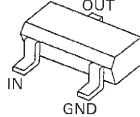
2SB1375-F  
2SD2012-F



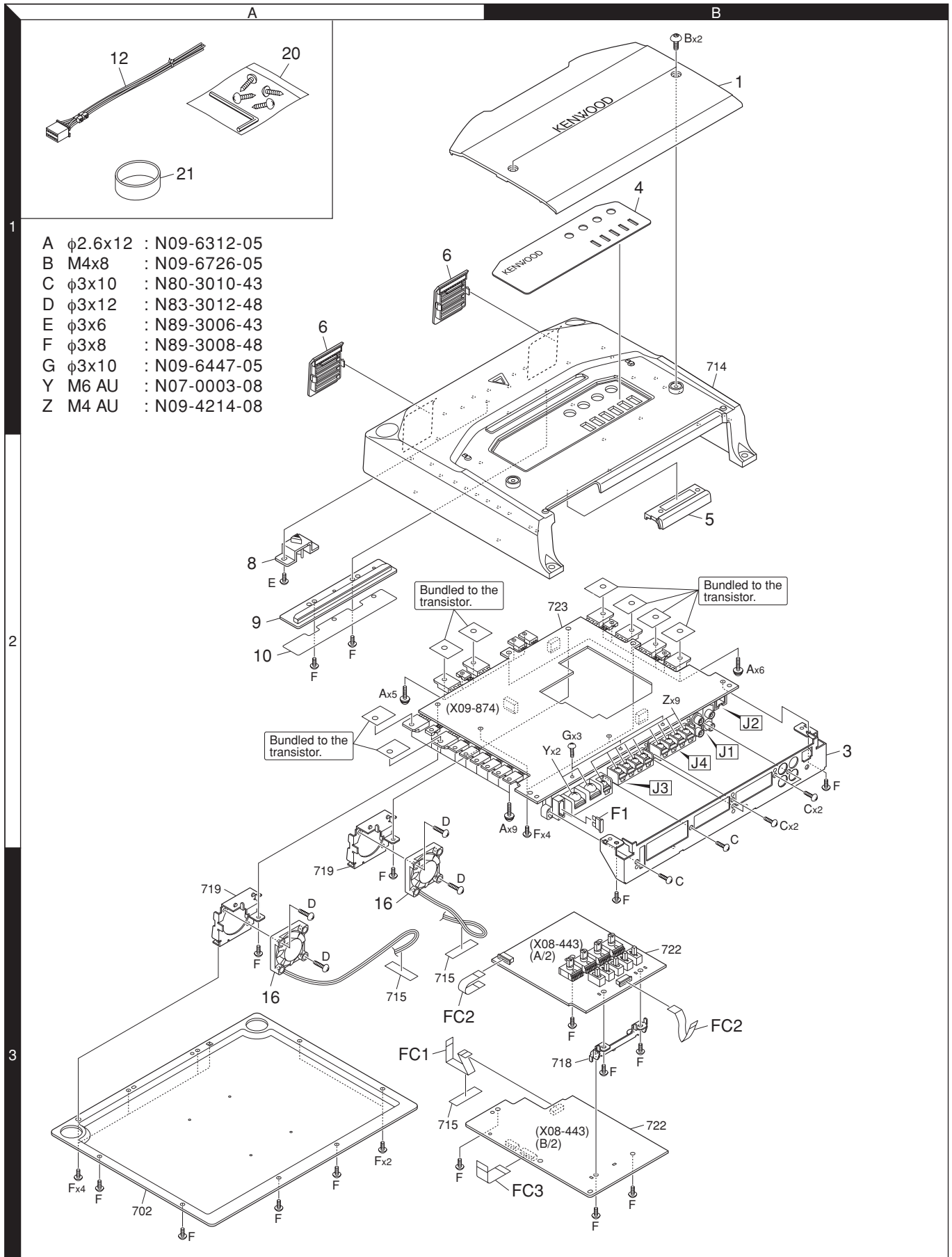
2SC4081



DTA114EUA



## EXPLODED VIEW



# KAC-8404

## PARTS LIST

\* New parts

Parts without **Parts No.** are not supplied.

Les articles non mentionnés dans le **Parts No.** ne sont pas fournis.

Teile ohne **Parts No.** werden nicht geliefert.

Ref. No.	Ad	New	Parts No.	Description	Destination
<b>KAC-8404</b>					
1	1B	*	A21-6635-02	DRESSING PANEL	KE1
1	1B	*	A21-6636-02	DRESSING PANEL	M1
3	2B	*	A64-4419-02	PANEL	
4	1B	*	B03-5097-02	DRESSING PLATE	
5	2B	*	B07-3231-03	ESCUTCHEON (DENGEN)	
6	1A	*	B07-3232-02	ESCUTCHEON (FAN)	
8	2A	*	B19-2324-03	LIGHTING BOARD (TRIANGLE)	
9	2A	*	B19-2468-03	LIGHTING BOARD	
10	2A	*	B19-2502-03	LIGHTING BOARD	
-		*	B64-3935-00	INSTRUCTION MANUAL (ENG.FRE.SPA)	KE1
-		*	B64-3936-00	INSTRUCTION MANUAL (GE.DU.IT.PO)	E1
-		*	B64-3937-00	INSTRUCTION MANUAL (ENG.S-CHI.)	M1
12	1A	*	E30-6144-05	CONNECTING CORD ASSY	
FC1	3A	*	E39-0967-05	FLAT CABLE	
FC2	3B	*	E39-0968-05	FLAT CABLE	
FC3	3B	*	E39-0970-05	FLAT CABLE	
16	3A	*	F09-2974-05	FAN	
F1	2B	*	F52-0016-05	FUSE (BLADE TYPE) 40A	
-		*	H54-4237-03	ITEM CARTON CASE	K
-		*	H54-4238-03	ITEM CARTON CASE	E1
-		*	H54-4239-03	ITEM CARTON CASE	M1
20	1A	*	N99-1820-05	SCREW & WRENCH KEY SET	
A	2B	*	N09-6312-05	SEMS (TAPTITE SCREW) (2.6X12)	
B	1B	*	N09-6726-05	DRESSED SCREW (M4X8)	
C	2B	*	N80-3010-43	PAN HEAD TAPTITE SCREW	
D	3A	*	N83-3012-48	PAN HEAD TAPTITE SCREW	
E	2A	*	N89-3006-43	BINDING HEAD TAPTITE SCREW	
F	3A	*	N89-3008-48	BINDING HEAD TAPTITE SCREW	
Y	2B	*	N07-0003-08	TERMINAL SCREW (M6 AU)	
Z	2B	*	N09-4214-08	TERMINAL SCREW (M4 AU)	
21	1A	*	W01-1606-05	ACCESSORIES	
<b>PREAMPLIFIER UNIT (X08-4430-10)</b>					
C1-4			CK73FB1C105K	CHIP C 1.0UF	K
C5,6			CD04BJ1H100M	ELECTRO 10UF	50WV
C101,102			CK73GB1H103K	CHIP C 0.010UF	K
C103,104			CK73GB1H473K	CHIP C 0.047UF	K
C105,106			CK73FB1H334K	CHIP C 0.33UF	K
C107-110			CK73GB1H103K	CHIP C 0.010UF	K
C111-114			CD04AS1V100M	ELECTRO 10UF	35WV
C115			CK73GB1H472K	CHIP C 4700PF	K
C116,117			CK73GB1H103K	CHIP C 0.010UF	K
C118			CC73GCH1H470J	CHIP C 47PF	J
C119			CD04BJ1H100M	ELECTRO 10UF	50WV
C201,202			CK73GB1H103K	CHIP C 0.010UF	K
C203,204			CC73GCH1H101J	CHIP C 100PF	J
C205-208			CK73GB1H103K	CHIP C 0.010UF	K
C209,210			CK73GB1A474K	CHIP C 0.47UF	K
C211,212			CD04AU1H4R7M	NP-ELEC 4.7UF	50WV
C213,214			CK73FB1H334K	CHIP C 0.33UF	K
C215,216			CK73GB1H473K	CHIP C 0.047UF	K
C217-220			CK73GB1H103K	CHIP C 0.010UF	K

Ref. No.	Ad	New	Parts No.	Description	Destination
C221-226			CD04BJ1H100M	ELECTRO 10UF	50WV
C227			CK73GB1H472K	CHIP C 4700PF	K
C228			CC73GCH1H470J	CHIP C 47PF	J
C229			CD04BJ1H100M	ELECTRO 10UF	50WV
C301,302			CD04BJ1H100M	ELECTRO 10UF	50WV
C303,304			CC73GCH1H471J	CHIP C 470PF	J
C305,306			CC73GCH1H470J	CHIP C 47PF	J
C307,308			CK73GB1H472K	CHIP C 4700PF	K
C309,310			CD04BJ1E470M	ELECTRO 47UF	25WV
C311,312			CC73GCH1H060D	CHIP C 6.0PF	D
C313,314			CC73GCH1H101J	CHIP C 100PF	J
C315,316			CC73GCH1H030C	CHIP C 3.0PF	C
C317,318			CC73GCH1H101J	CHIP C 100PF	J
C319			CD04BJ1V221M	ELECTRO 220UF	35WV
C322,323			CC73GCH1H101J	CHIP C 100PF	J
C401,402			CD04BJ1H100M	ELECTRO 10UF	50WV
C403,404			CC73GCH1H471J	CHIP C 470PF	J
C405,406			CC73GCH1H470J	CHIP C 47PF	J
C407,408			CK73GB1H472K	CHIP C 4700PF	K
C409,410			CD04BJ1E470M	ELECTRO 47UF	25WV
C411,412			CC73GCH1H060D	CHIP C 6.0PF	D
C413,414			CC73GCH1H101J	CHIP C 100PF	J
C415,416			CC73GCH1H030C	CHIP C 3.0PF	C
C417,418			CC73GCH1H101J	CHIP C 100PF	J
C422,423			CC73GCH1H101J	CHIP C 100PF	J
C701-703			CK73GB1H103K	CHIP C 0.010UF	K
C704			CD04BJ1A101M	ELECTRO 100UF	10WV
C705			CK73GB1H104K	CHIP C 0.10UF	K
C706			CD04BJ1A221M	ELECTRO 220UF	10WV
C707,708			CD04BJ1H100M	ELECTRO 10UF	50WV
C709			CK73GB1H103K	CHIP C 0.010UF	K
C710,711			CD04BJ1H100M	ELECTRO 10UF	50WV
C712,713			CK73GB1H103K	CHIP C 0.010UF	K
C714			CD04BJ1H100M	ELECTRO 10UF	50WV
C901-908			CC73GCH1H221J	CHIP C 220PF	J
CN2			E41-2447-05	FLAT CABLE CONNECTOR	
CN3	*		E41-2925-05	FLAT CABLE CONNECTOR	
CN4	*		E41-2447-05	FLAT CABLE CONNECTOR	
CN5	*		E41-1705-05	PIN ASSY	
CN6,7	*		E41-1699-05	PIN ASSY	
CN11			E41-2447-05	FLAT CABLE CONNECTOR	
CN22			E41-2447-05	FLAT CABLE CONNECTOR	
R101-106			RK73GB2A103J	CHIP R 10K	J 1/10W
R107,108			RK73GB2A222J	CHIP R 2.2K	J 1/10W
R109,110			RK73GB2A103J	CHIP R 10K	J 1/10W
R111,112			RK73GB2A302J	CHIP R 3.0K	J 1/10W
R113,114			RK73GB2A163J	CHIP R 16K	J 1/10W
R115-118			RK73GB2A223J	CHIP R 22K	J 1/10W
R119			RK73GB2A101J	CHIP R 100	J 1/10W
R120,121			RK73GB2A153J	CHIP R 15K	J 1/10W
R122,123			RK73GB2A391J	CHIP R 390	J 1/10W
R203,204			RK73GB2A432J	CHIP R 4.3K	J 1/10W
R205,206			RK73GB2A242J	CHIP R 2.4K	J 1/10W
R207-210			RK73GB2A103J	CHIP R 10K	J 1/10W

E1 : KAC-8404 (Europe) K : KAC-8404 (North America) M1 : KAC-8404 (Other Areas)

△ Indicates safety critical components.

## PARTS LIST

### PREAMPLIFIER UNIT (X08-4430-10)

Ref. No.	Add	New	Parts No.	Description	Destination	Ref. No.	Add	New	Parts No.	Description	Destination
R211,212			RK73GB2A333J	CHIP R 33K J 1/10W		R706			RK73GB2A622J	CHIP R 6.2K J 1/10W	
R213,214			RK73GB2A221J	CHIP R 220 J 1/10W		R707			RK73GB2A473J	CHIP R 47K J 1/10W	
R219,220			RK73GB2A104J	CHIP R 100K J 1/10W		R708			RK73GB2A333J	CHIP R 33K J 1/10W	
R221,222			RK73GB2A103J	CHIP R 10K J 1/10W		R709			RK73GB2A682J	CHIP R 6.8K J 1/10W	
R223,224			RK73GB2A302J	CHIP R 3.0K J 1/10W		R710,711			RK73GB2A153J	CHIP R 15K J 1/10W	
R225,226			RK73GB2A103J	CHIP R 10K J 1/10W		R712,713			RK73GB2A682J	CHIP R 6.8K J 1/10W	
R227,228			RK73GB2A222J	CHIP R 2.2K J 1/10W		R714,715			RK73GB2A103J	CHIP R 10K J 1/10W	
R231,232			RK73GB2A163J	CHIP R 16K J 1/10W		R716,717			RK73GB2A220J	CHIP R 22 J 1/10W	
R233-238			RK73GB2A223J	CHIP R 22K J 1/10W		R718			RK73GB2A473J	CHIP R 47K J 1/10W	
R239			RK73GB2A101J	CHIP R 100 J 1/10W		R719			RK73GB2A103J	CHIP R 10K J 1/10W	
R240,241			RK73GB2A153J	CHIP R 15K J 1/10W		R720			RK73GB2A123J	CHIP R 12K J 1/10W	
R242,243			RK73GB2A391J	CHIP R 390 J 1/10W		R721			RK73GB2A681J	CHIP R 680 J 1/10W	
R301,302			RK73GB2A103J	CHIP R 10K J 1/10W		R722			RK73EB2E4R7J	CHIP R 4.7 J 1/4W	
R303,304			RK73GB2A113J	CHIP R 11K J 1/10W		R723			RK73GB2A154J	CHIP R 150K J 1/10W	
R305,306			RK73GB2A103J	CHIP R 10K J 1/10W		R724			RK73GB2A104J	CHIP R 100K J 1/10W	
R307,308			RK73GB2A104J	CHIP R 100K J 1/10W		R725			RK73GB2A222J	CHIP R 2.2K J 1/10W	
R309,310			RK73GB2A473J	CHIP R 47K J 1/10W		R726			RK73GB2A472J	CHIP R 4.7K J 1/10W	
R311,312			RK73GB2A153J	CHIP R 15K J 1/10W		R727			RK73GB2A154J	CHIP R 150K J 1/10W	
R313,314			RK73GB2A272J	CHIP R 2.7K J 1/10W		R728			RK73GB2A103J	CHIP R 10K J 1/10W	
R315,316			RK73GB2A101J	CHIP R 100 J 1/10W		R729			RK73GB2A272J	CHIP R 2.7K J 1/10W	
R317,318			RK73GB2A272J	CHIP R 2.7K J 1/10W		R730			RK73GB2A103J	CHIP R 10K J 1/10W	
R319,320			RK73GB2A122J	CHIP R 1.2K J 1/10W		R731			RK73GB2A222J	CHIP R 2.2K J 1/10W	
R321,322			RK73EB2E473J	CHIP R 47K J 1/4W		R732			RK73GB2A472J	CHIP R 4.7K J 1/10W	
R323,324			RK73GB2A221J	CHIP R 220 J 1/10W		R733			RK73GB2A154J	CHIP R 150K J 1/10W	
R325,326			RK73EB2E472J	CHIP R 4.7K J 1/4W		R734			RK73GB2A103J	CHIP R 10K J 1/10W	
R327,328			RK73GB2A221J	CHIP R 220 J 1/10W		R735			RK73GB2A302J	CHIP R 3.0K J 1/10W	
R329,330			RK73GB2A181J	CHIP R 180 J 1/10W		R736			RK73GB2A103J	CHIP R 10K J 1/10W	
R333,334			RK73GB2A511J	CHIP R 510 J 1/10W		VR1			R31-0241-05	VARIABLE RESISTOR	
R337			RD14NB2E100J	RD 10 J 1/4W		VR2			R31-0238-05	VARIABLE RESISTOR	
R338,339			RK73GB2A302J	CHIP R 3.0K J 1/10W		VR3			R31-0241-05	VARIABLE RESISTOR	
R341,342			RK73GB2A103J	CHIP R 10K J 1/10W		VR4			R31-0238-05	VARIABLE RESISTOR	
R343,344			RK73GB2A153J	CHIP R 15K J 1/10W		VR5-8			R32-0340-05	SEMI FIXED VARIABLE RESISTOR	
R401,402			RK73GB2A103J	CHIP R 10K J 1/10W		W201,202			R92-2053-05	CHIP R 0 OHM J 1/8W	
R403,404			RK73GB2A113J	CHIP R 11K J 1/10W		W203			R92-1252-05	CHIP R 0 OHM J 1/16W	
R405,406			RK73GB2A103J	CHIP R 10K J 1/10W		W204			R92-2053-05	CHIP R 0 OHM J 1/8W	
R407,408			RK73GB2A104J	CHIP R 100K J 1/10W		W205			R92-1252-05	CHIP R 0 OHM J 1/16W	
R409,410			RK73GB2A473J	CHIP R 47K J 1/10W		W206			R92-2053-05	CHIP R 0 OHM J 1/8W	
R411,412			RK73GB2A153J	CHIP R 15K J 1/10W		W207-210			R92-1252-05	CHIP R 0 OHM J 1/16W	
R413,414			RK73GB2A272J	CHIP R 2.7K J 1/10W		W211-214			R92-2053-05	CHIP R 0 OHM J 1/8W	
R415,416			RK73GB2A101J	CHIP R 100 J 1/10W		W215			R92-1252-05	CHIP R 0 OHM J 1/16W	
R417,418			RK73GB2A272J	CHIP R 2.7K J 1/10W		W216-222			R92-2053-05	CHIP R 0 OHM J 1/8W	
R419,420			RK73GB2A122J	CHIP R 1.2K J 1/10W		W223,224			R92-1252-05	CHIP R 0 OHM J 1/16W	
R421,422			RK73EB2E473J	CHIP R 47K J 1/4W		W225-231			R92-2053-05	CHIP R 0 OHM J 1/8W	
R423,424			RK73GB2A221J	CHIP R 220 J 1/10W		W232			R92-1252-05	CHIP R 0 OHM J 1/16W	
R425,426			RK73EB2E472J	CHIP R 4.7K J 1/4W		W233			R92-2053-05	CHIP R 0 OHM J 1/8W	
R427,428			RK73GB2A221J	CHIP R 220 J 1/10W		W234			R92-1252-05	CHIP R 0 OHM J 1/16W	
R429,430			RK73GB2A181J	CHIP R 180 J 1/10W		W235			R92-2053-05	CHIP R 0 OHM J 1/8W	
R433,434			RK73GB2A511J	CHIP R 510 J 1/10W		W236			R92-1252-05	CHIP R 0 OHM J 1/16W	
R437,438			RK73GB2A302J	CHIP R 3.0K J 1/10W		W237-246			R92-2053-05	CHIP R 0 OHM J 1/8W	
R441,442			RK73GB2A103J	CHIP R 10K J 1/10W		W247-249			R92-1252-05	CHIP R 0 OHM J 1/16W	
R443,444			RK73GB2A153J	CHIP R 15K J 1/10W		W250			R92-2053-05	CHIP R 0 OHM J 1/8W	
R701			RK73EB2E222J	CHIP R 2.2K J 1/4W		W251-254			R92-1252-05	CHIP R 0 OHM J 1/16W	
R702			RK73GB2A103J	CHIP R 10K J 1/10W		W255			R92-2053-05	CHIP R 0 OHM J 1/8W	
R703			RK73GB2A222J	CHIP R 2.2K J 1/10W		W256-260			R92-1252-05	CHIP R 0 OHM J 1/16W	
R704,705			RK73GB2A123J	CHIP R 12K J 1/10W		W261			R92-2053-05	CHIP R 0 OHM J 1/8W	

E1 : KAC-8404 (Europe) K : KAC-8404 (North America) M1 : KAC-8404 (Other Areas)

△ Indicates safety critical components.

# KAC-8404

## PARTS LIST

### PREAMPLIFIER UNIT (X08-4430-10)

Ref. No.	Add	New	Parts No.	Description	Destination
W262			R92-1252-05	CHIP R 0 OHM J 1/16W	
W263			R92-2053-05	CHIP R 0 OHM J 1/8W	
W264,265			R92-1252-05	CHIP R 0 OHM J 1/16W	
W267			R92-1252-05	CHIP R 0 OHM J 1/16W	
W268			R92-2053-05	CHIP R 0 OHM J 1/8W	
W269,270			R92-1252-05	CHIP R 0 OHM J 1/16W	
W271			R92-2053-05	CHIP R 0 OHM J 1/8W	
W272-277			R92-1252-05	CHIP R 0 OHM J 1/16W	
W278-280			R92-2053-05	CHIP R 0 OHM J 1/8W	
W281,282			R92-1252-05	CHIP R 0 OHM J 1/16W	
W901,902			R92-1252-05	CHIP R 0 OHM J 1/16W	
W935,936			R92-1252-05	CHIP R 0 OHM J 1/16W	
W945,946			R92-1252-05	CHIP R 0 OHM J 1/16W	
S2-4			S62-0879-05	SLIDE SWITCH	
S5,6			S62-0880-05	SLIDE SWITCH	
D301-304			1SS355	DIODE	
D305			LM1MA142WK-G	DIODE	
D306			LM1MA142WA-G	DIODE	
D401-404			1SS355	DIODE	
D405			LM1MA142WK-G	DIODE	
D406			LM1MA142WA-G	DIODE	
D701			UDZS10B	ZENER DIODE	
D702,703			1SS355	DIODE	
D704			UDZS12B	ZENER DIODE	
D705			1SS355	DIODE	
IC1-10			BA4560RF	ANALOGUE IC	
Q301-304			2SC4081	TRANSISTOR	
Q305-308			2SA1576A(R,S)	TRANSISTOR	
Q309,310			2SC1845-A(F,E)	TRANSISTOR	
Q311,312			2SA992-A(F,E)	TRANSISTOR	
Q313,314			2SC1845-A(F,E)	TRANSISTOR	
Q315,316			2SC4081	TRANSISTOR	
Q401-404			2SC4081	TRANSISTOR	
Q405-408			2SA1576A(R,S)	TRANSISTOR	
Q409,410			2SC1845-A(F,E)	TRANSISTOR	
Q411,412			2SA992-A(F,E)	TRANSISTOR	
Q413,414			2SC1845-A(F,E)	TRANSISTOR	
Q415,416			2SC4081	TRANSISTOR	
Q701			2SA1576A(R,S)	TRANSISTOR	
Q702-705			2SC4081	TRANSISTOR	
Q706			2SA1576A(R,S)	TRANSISTOR	
Q707			2SC4081	TRANSISTOR	
Q708			2SA1576A(R,S)	TRANSISTOR	
Q709			2SC4081	TRANSISTOR	
Q710			2SD1863	TRANSISTOR	
<b>AUDIO UNIT (X09-8740-10)</b>					
D708,709			B30-1770-05	LED (BLUE)	
D710			B30-1743-05	LED (RED LED)	
C1			CD04AU1H100M	NP-ELEC 10UF 50WV	
C2			CD04BJ1H100M	ELECTRO 10UF 50WV	
C3			CK73GB1H102K	CHIP C 1000PF K	
C4			CD04BJ1E470M	ELECTRO 47UF 25WV	
C5			CK73GB1H103K	CHIP C 0.010UF K	

Ref. No.	Add	New	Parts No.	Description	Destination
C6			CD04AU1H2R2M	NP-ELEC 2.2UF 50WV	
C7			CK73GB1H152K	CHIP C 1500PF K	
C8,9			CD04AZ1C222M	ELECTRO 2200UF 16WV	
C10,11			CK73GB1H152K	CHIP C 1500PF K	
C12,13			C90-6782-05	ELECTRO 3300UF 50WV	
C14,15			CD04BJ1E101M	ELECTRO 100UF 25WV	
C16,17			CD04BJ1E470M	ELECTRO 47UF 25WV	
C100			CK45FB1H102K	CERAMIC 1000PF K	
C101,102			CK73GB1H102K	CHIP C 1000PF K	
C103,104			CD04BJ1H100M	ELECTRO 10UF 50WV	
C105,106			CC73GCH1H150J	CHIP C 15PF J	
C107,108			CC73GCH1H101J	CHIP C 100PF J	
C109,110			CC73GCH1H150J	CHIP C 15PF J	
C111,112			CC73GCH1H101J	CHIP C 100PF J	
C113-116			CK73GB1H103K	CHIP C 0.010UF K	
C117,118			CD04BJ1E470M	ELECTRO 47UF 25WV	
C122			CK73GB1H103K	CHIP C 0.010UF K	
C123-126			CD04BJ1H100M	ELECTRO 10UF 50WV	
C201,202			CK73GB1H102K	CHIP C 1000PF K	
C203,204			CD04BJ1H100M	ELECTRO 10UF 50WV	
C205,206			CC73GCH1H150J	CHIP C 15PF J	
C207,208			CC73GCH1H101J	CHIP C 100PF J	
C209,210			CC73GCH1H150J	CHIP C 15PF J	
C211,212			CC73GCH1H101J	CHIP C 100PF J	
C213-216			CK73GB1H103K	CHIP C 0.010UF K	
C217,218			CD04BJ1E470M	ELECTRO 47UF 25WV	
C222			CK73GB1H103K	CHIP C 0.010UF K	
C223-226			CD04BJ1H100M	ELECTRO 10UF 50WV	
C301,302			CK73GB1H103K	CHIP C 0.010UF K	
C303-306			CK73GB1H102K	CHIP C 1000PF K	
C307,308			CK73GB1H473K	CHIP C 0.047UF K	
C401,402			CK73GB1H103K	CHIP C 0.010UF K	
C403-406			CK73GB1H102K	CHIP C 1000PF K	
C407,408			CK73GB1H473K	CHIP C 0.047UF K	
C701,702			CD04BJ1H100M	ELECTRO 10UF 50WV	
C703			CD04BJ1V330M	ELECTRO 33UF 35WV	
C704,705			CD04BJ1H100M	ELECTRO 10UF 50WV	
C706			CK73GB1H102K	CHIP C 1000PF K	
CN1		*	E41-2945-05	FLAT CABLE CONNECTOR	
CN33		*	E41-2946-05	FLAT CABLE CONNECTOR	
CN44		*	E41-2945-05	FLAT CABLE CONNECTOR	
J1			E63-0947-05	PIN JACK	
J2			E58-1031-05	RECTANGULAR RECEPTACLE	
J3			E70-0832-15	SCREW TERMINAL BOARD	
J4		*	E70-0850-05	SCREW TERMINAL BOARD	
WH5		*	E39-0976-05	WIRING HARNESS	
L2		*	L19-0813-05	TRANSFORMER FOR CONVERTER	
L3		*	L33-2435-05	CHOKO COIL	
G	2B		N09-6447-05	TAPTITE SCREW (3X10 P)	
R1			RK73GB2A103J	CHIP R 10K J 1/10W	
R2			RK73GB2A102J	CHIP R 1.0K J 1/10W	
R3			RK73GB2A103J	CHIP R 10K J 1/10W	
R4			RK73GB2A223J	CHIP R 22K J 1/10W	

E1 : KAC-8404 (Europe) K : KAC-8404 (North America) M1 : KAC-8404 (Other Areas)

△ Indicates safety critical components.



## PARTS LIST

## AUDIO UNIT (X09-8740-10)

Ref. No.	Add	New	Parts No.	Description	Destination	Ref. No.	Add	New	Parts No.	Description	Destination
R5			RK73GB2A104J	CHIP R 100K J 1/10W		R708			RK73EB2E302J	CHIP R 3.0K J 1/4W	
R7			RK73GB2A472J	CHIP R 4.7K J 1/10W		R709			RK73GB2A333J	CHIP R 33K J 1/10W	
R8			RK73GB2A471J	CHIP R 470 J 1/10W		R710			RK73GB2A472J	CHIP R 4.7K J 1/10W	
R9			RK73GB2A103J	CHIP R 10K J 1/10W		R711			RK73GB2A103J	CHIP R 10K J 1/10W	
R10			RK73GB2A682J	CHIP R 6.8K J 1/10W		R712			RK73GB2A333J	CHIP R 33K J 1/10W	
R11			RK73GB2A105J	CHIP R 1.0M J 1/10W		R713			RK73GB2A103J	CHIP R 10K J 1/10W	
R12			RK73GB2A103J	CHIP R 10K J 1/10W		R714			RK73GB2A102J	CHIP R 1.0K J 1/10W	
R13,14			RK73GB2A152J	CHIP R 1.5K J 1/10W		R715			RK73EB2E152J	CHIP R 1.5K J 1/4W	
R15,16			RK73GB2A560J	CHIP R 56 J 1/10W		R716			RK73EB2E101J	CHIP R 100 J 1/4W	
R17,18			RK73GB2A472J	CHIP R 4.7K J 1/10W		R717-720			RK73GB2A473J	CHIP R 47K J 1/10W	
R19-22			RK73GB2A560J	CHIP R 56 J 1/10W		R721			RK73EB2E222J	CHIP R 2.2K J 1/4W	
R23			RD14DB2H100J	SMALL-RD 10 J 1/2W		R722			RK73GB2A222J	CHIP R 2.2K J 1/10W	
R24,25			RK73PB2H100J	CHIP R 10 J 1/2W		R723			RK73GB2A104J	CHIP R 100K J 1/10W	
R26,27			RK73GB2A562J	CHIP R 5.6K J 1/10W		R724			RK73GB2A103J	CHIP R 10K J 1/10W	
R28			RK73GB2A222J	CHIP R 2.2K J 1/10W		R725			RK73GB2A472J	CHIP R 4.7K J 1/10W	
R100-102			RK73EB2E102J	CHIP R 1.0K J 1/4W		R726			RK73GB2A103J	CHIP R 10K J 1/10W	
R103,104			RK73GB2A103J	CHIP R 10K J 1/10W		R727			RK73EB2E222J	CHIP R 2.2K J 1/4W	
R105,106			RK73GB2A472J	CHIP R 4.7K J 1/10W		W201			R92-1252-05	CHIP R 0 OHM J 1/16W	
R107,108			RK73GB2A103J	CHIP R 10K J 1/10W		W202-204			R92-2053-05	CHIP R 0 OHM J 1/8W	
R109,110			RK73GB2A123J	CHIP R 12K J 1/10W		W205			R92-1252-05	CHIP R 0 OHM J 1/16W	
R111-118			RK73GH2A103D	CHIP R 10K D 1/10W		W206			R92-2053-05	CHIP R 0 OHM J 1/8W	
R119,120			RK73GB2A473J	CHIP R 47K J 1/10W		W207			R92-1252-05	CHIP R 0 OHM J 1/16W	
R125,126			RK73EB2E222J	CHIP R 2.2K J 1/4W		W208			R92-2053-05	CHIP R 0 OHM J 1/8W	
R127-130			RK73EB2E104J	CHIP R 100K J 1/4W		W209-211			R92-1252-05	CHIP R 0 OHM J 1/16W	
R201,202			RK73EB2E102J	CHIP R 1.0K J 1/4W		W212			R92-2053-05	CHIP R 0 OHM J 1/8W	
R203,204			RK73GB2A103J	CHIP R 10K J 1/10W		W213-217			R92-1252-05	CHIP R 0 OHM J 1/16W	
R205,206			RK73GB2A472J	CHIP R 4.7K J 1/10W		W218,219			R92-2053-05	CHIP R 0 OHM J 1/8W	
R207,208			RK73GB2A103J	CHIP R 10K J 1/10W		W220,221			R92-1252-05	CHIP R 0 OHM J 1/16W	
R209,210			RK73GB2A123J	CHIP R 12K J 1/10W		W222			R92-2053-05	CHIP R 0 OHM J 1/8W	
R211-218			RK73GH2A103D	CHIP R 10K D 1/10W		W223-228			R92-1252-05	CHIP R 0 OHM J 1/16W	
R219,220			RK73GB2A473J	CHIP R 47K J 1/10W		W229			R92-2053-05	CHIP R 0 OHM J 1/8W	
R225,226			RK73EB2E222J	CHIP R 2.2K J 1/4W		W230			R92-1252-05	CHIP R 0 OHM J 1/16W	
R227-230			RK73EB2E104J	CHIP R 100K J 1/4W		W231,232			R92-2053-05	CHIP R 0 OHM J 1/8W	
R301-304			RK73EB2E101J	CHIP R 100 J 1/4W		W233			R92-1252-05	CHIP R 0 OHM J 1/16W	
R305-308			RK73GB2A122J	CHIP R 1.2K J 1/10W		W234,235			R92-2053-05	CHIP R 0 OHM J 1/8W	
R309,310			RK73GB2A471J	CHIP R 470 J 1/10W		W236,237			R92-1252-05	CHIP R 0 OHM J 1/16W	
R311-314			RK73EB2E4R7J	CHIP R 4.7 J 1/4W		W238-242			R92-2053-05	CHIP R 0 OHM J 1/8W	
R315-318			RK73GB2A102J	CHIP R 1.0K J 1/10W		W243			R92-1252-05	CHIP R 0 OHM J 1/16W	
R319-322			R92-0205-05	METAL-PLATE 0.1 K 2W		W244			R92-2053-05	CHIP R 0 OHM J 1/8W	
R323,324			RD14DB2H100J	SMALL-RD 10 J 1/2W		W245			R92-1252-05	CHIP R 0 OHM J 1/16W	
R331,332			RK73GB2A182J	CHIP R 1.8K J 1/10W		W246,247			R92-2053-05	CHIP R 0 OHM J 1/8W	
R401-404			RK73EB2E101J	CHIP R 100 J 1/4W		W248-252			R92-1252-05	CHIP R 0 OHM J 1/16W	
R405-408			RK73GB2A122J	CHIP R 1.2K J 1/10W		W253-255			R92-2053-05	CHIP R 0 OHM J 1/8W	
R409,410			RK73GB2A471J	CHIP R 470 J 1/10W		W256			R92-1252-05	CHIP R 0 OHM J 1/16W	
R411-414			RK73EB2E4R7J	CHIP R 4.7 J 1/4W		W257-263			R92-2053-05	CHIP R 0 OHM J 1/8W	
R415-418			RK73GB2A102J	CHIP R 1.0K J 1/10W		W264,265			R92-1252-05	CHIP R 0 OHM J 1/16W	
R419-422			R92-0205-05	METAL-PLATE 0.1 K 2W		W266			R92-2053-05	CHIP R 0 OHM J 1/8W	
R423,424			RD14DB2H100J	SMALL-RD 10 J 1/2W		W267			R92-1252-05	CHIP R 0 OHM J 1/16W	
R431,432			RK73GB2A182J	CHIP R 1.8K J 1/10W		W268			R92-2053-05	CHIP R 0 OHM J 1/8W	
R701			RK73GB2A392J	CHIP R 3.9K J 1/10W		W269,270			R92-1252-05	CHIP R 0 OHM J 1/16W	
R702,703			RK73EB2E392J	CHIP R 3.9K J 1/4W		W271,272			R92-2053-05	CHIP R 0 OHM J 1/8W	
R704			RK73GB2A303J	CHIP R 30K J 1/10W		W273,274			R92-1252-05	CHIP R 0 OHM J 1/16W	
R705			RK73GB2A392J	CHIP R 3.9K J 1/10W		W275-277			R92-2053-05	CHIP R 0 OHM J 1/8W	
R706			RK73GB2A152J	CHIP R 1.5K J 1/10W		W278-293			R92-1252-05	CHIP R 0 OHM J 1/16W	
R707			RK73GB2A682J	CHIP R 6.8K J 1/10W		W294-296			R92-2053-05	CHIP R 0 OHM J 1/8W	

E1 : KAC-8404 (Europe) K : KAC-8404 (North America) M1 : KAC-8404 (Other Areas)

△ Indicates safety critical components.

# KAC-8404

## PARTS LIST

### AUDIO UNIT (X09-8740-10)

Ref. No.	Add	New	Parts No.	Description	Destination	Ref. No.	Add	New	Parts No.	Description	Destination
W297,298			R92-1252-05	CHIP R 0 OHM J 1/16W		Q708			2SC4081	TRANSISTOR	
W299-302			R92-2053-05	CHIP R 0 OHM J 1/8W		TH1			NCP18WB473J0S	THERMISTOR	
W303-312			R92-1252-05	CHIP R 0 OHM J 1/16W							
W313			R92-2053-05	CHIP R 0 OHM J 1/8W							
W906			R92-1252-05	CHIP R 0 OHM J 1/16W							
D1			RM4ZLF-J4NF	DIODE							
D2-4			1SS355	DIODE							
D5			LM1MA142WK-G	DIODE							
D6			FCH10A20	DIODE							
D7			FRH10A20	DIODE							
D8,9			UDZS16B	ZENER DIODE							
D101			LM1MA142WK-G	DIODE							
D102			LM1MA142WA-G	DIODE							
D103			UMZ6.8N	ZENER DIODE							
D201			LM1MA142WK-G	DIODE							
D202			LM1MA142WA-G	DIODE							
D203			UMZ6.8N	ZENER DIODE							
D301,302			1SS355	DIODE							
D303,304			LM1MA142WA-G	DIODE							
D401,402			1SS355	DIODE							
D403,404			LM1MA142WA-G	DIODE							
D701			UDZS6.8B	ZENER DIODE							
D702			UDZS15B	ZENER DIODE							
D703			1SS355	DIODE							
D704			UDZS10B	ZENER DIODE							
D705-707			1SS355	DIODE							
D711,712			LM1MA142WK-G	DIODE							
D713			1SS355	DIODE							
IC1-4			BA4560RF	ANALOGUE IC							
IC5			TL494IDR	ANALOGUE IC							
Q1,2			DTA114EUA	DIGITAL TRANSISTOR							
Q3,4			2SC4097	TRANSISTOR							
Q5,6			2SA1577	TRANSISTOR							
Q7-10			STP60NF06FP	FET							
Q11			2SD2012-F	TRANSISTOR							
Q12			2SB1375-F	TRANSISTOR							
Q301,302			2SC3419(Y)-F	TRANSISTOR							
Q303,304			2SC1845-A(F,E)	TRANSISTOR							
Q305,306			2SA992-A(F,E)	TRANSISTOR							
Q307,308			2SC1627A-F	TRANSISTOR							
Q309,310			2SA817A-F	TRANSISTOR							
Q311,312			2SC4468NF	TRANSISTOR							
Q313,314			2SA1695NF	TRANSISTOR							
Q401,402			2SC3419(Y)-F	TRANSISTOR							
Q403,404			2SC1845-A(F,E)	TRANSISTOR							
Q405,406			2SA992-A(F,E)	TRANSISTOR							
Q407,408			2SC1627A-F	TRANSISTOR							
Q409,410			2SA817A-F	TRANSISTOR							
Q411,412			2SC4468NF	TRANSISTOR							
Q413,414			2SA1695NF	TRANSISTOR							
Q701			2SB1241	TRANSISTOR							
Q702-704			2SC4081	TRANSISTOR							
Q705			2SA1576A(R,S)	TRANSISTOR							
Q706			2SC4081	TRANSISTOR							
Q707			2SA1576A(R,S)	TRANSISTOR							

E1 : KAC-8404 (Europe) K : KAC-8404 (North America) M1 : KAC-8404 (Other Areas)

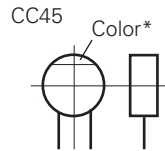
△ Indicates safety critical components.

## PARTS LIST

### CAPACITORS

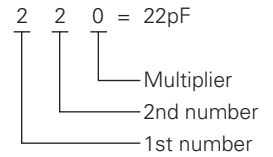
$\frac{C}{1} \frac{C}{2} \frac{45}{3} \frac{TH}{4} \frac{1H}{5} \frac{220}{6} \frac{J}{6}$

- 1 = Type ... ceramic, electrolytic, etc.
- 2 = Shape ... round, square, etc.
- 3 = Temp. coefficient
- 4 = Voltage rating
- 5 = Value
- 6 = Tolerance



#### • Capacitor value

- 010 = 1pF
- 100 = 10pF
- 101 = 100pF
- 102 = 1000pF = 0.001μF
- 103 = 0.01μF



#### • Temperature coefficient

1st Word	C	L	P	R	S	T	U
Color*	Black	Red	Orange	Yellow	Green	Blue	Violet
ppm/°C	0	-80	-150	-220	-330	-470	-750

2nd Word	G	H	J	K	L
ppm/°C	±30	±60	±120	±250	±500

Example : CC45TH = -470±60ppm/°C

#### • Tolerance (More than 10pF)

Code	C	D	G	J	K	M	X	Z	P	No code
(%)	±0.25	±0.5	±2	±5	±10	±20	+40 -20	+80 -20	+100 -0	More than 10μF : -10~+50 Less than 4.7μF : -10~+75

#### (Less than 10pF)

Code	B	C	D	F	G
(pF)	±0.1	±0.25	±0.5	±1	±2

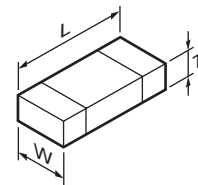
#### • Voltage rating

2nd word \ 1st word	A	B	C	D	E	F	G	H	J	K	V
0	1.0	1.25	1.6	2.0	2.5	3.15	4.0	5.0	6.3	8.0	-
1	10	12.5	16	20	25	31.5	40	50	63	80	35
2	100	125	160	200	250	315	400	500	630	800	-
3	1000	1250	1600	2000	2500	2150	4000	5000	6300	8000	-

#### • Chip capacitors

- (EX)  $\frac{C}{1} \frac{C}{2} \frac{73}{3} \frac{F}{4} \frac{SL}{5} \frac{1H}{6} \frac{000}{7} \frac{J}{7}$  Refer to the table above.
- (Chip) (CH, RH, UJ, SL)
- 1 = Type
  - 2 = Shape
  - 3 = Dimension
  - 4 = Temp. coefficient
  - 5 = Voltage rating
  - 6 = Value
  - 7 = Tolerance
- (EX)  $\frac{C}{1} \frac{K}{2} \frac{73}{3} \frac{F}{4} \frac{F}{5} \frac{1H}{6} \frac{000}{7} \frac{Z}{7}$
- (Chip) (B, F)

#### • Dimension



#### Chip capacitor

Code	L	W	T
Empty	5.6±0.5	5.0±0.5	Less than 2.0
A	4.5±0.5	3.2±0.4	Less than 2.0
B	4.5±0.5	2.0±0.3	Less than 2.0
C	4.5±0.5	1.25±0.2	Less than 1.25
D	3.2±0.4	2.5±0.3	Less than 1.5
E	3.2±0.2	1.6±0.2	Less than 1.25
F	2.0±0.3	1.25±0.2	Less than 1.25
G	1.6±0.2	0.8±0.2	Less than 1.0
H	1.0±0.05	0.5±0.05	0.5±0.05

#### Chip resistor

Code	L	W	T
E	3.2±0.2	1.6±0.2	1.0
F	2.0±0.3	1.25±0.2	1.0
G	1.6±0.2	0.8±0.2	0.5±0.1
H	1.0±0.05	0.5±0.05	0.35±0.05

#### • Rating wattage

Code	Wattage	Code	Wattage	Code	Wattage
1J	1/16W	2C	1/6W	3A	1W
2A	1/10W	2E	1/4W	3D	2W
2B	1/8W	2H	1/2W		

### RESISTORS

#### • Chip resistor (Carbon)

- (EX)  $\frac{R}{1} \frac{D}{2} \frac{73}{3} \frac{E}{4} \frac{B}{5} \frac{2B}{6} \frac{000}{7} \frac{J}{7}$
- (Chip) (B, F)

#### • Carbon resistor (Normal type)

- (EX)  $\frac{R}{1} \frac{D}{2} \frac{14}{3} \frac{B}{4} \frac{B}{5} \frac{2C}{6} \frac{000}{7} \frac{J}{7}$

- 1 = Type
- 2 = Shape
- 3 = Dimension
- 4 = Temp. coefficient
- 5 = Rating wattage
- 6 = Value
- 7 = Tolerance

# KAC-8404

## SPECIFICATIONS

### KAC-8404 K,E

#### CEA-2006

Primary Power Output Ratings  
(RMS Watts per channel @ 4 ohms, 1 % THD+N)  
..... 50 W × 4  
Signal to Noise Ratio (Reference: 1Watt into 4 ohms)  
..... 80 dBA

#### Audio Section

Max Power Output ..... 600 W (150 W × 4)  
Rated Power Output (+B = 14.4 V)  
Normal (4 Ω) (20 Hz – 20 kHz, 0.08 % THD) ..... 50 W × 4  
Normal (4 Ω) (DIN : 45324, +B = 14.4V) ..... 50 W × 4  
Normal (2 Ω) (1 kHz, 0.8 % THD) ..... 75 W × 4  
Bridged (4 Ω) (1 kHz, 0.8 % THD) ..... 180 W × 2  
Frequency Response (+0, -3 dB) ..... 5 Hz – 50 kHz  
Sensitivity (rated output) ..... 0.2 V – 5.0 V  
Input Impedance ..... 10 kΩ  
Signal to Noise Ratio ..... 100 dB  
Low Pass Filter Frequency (-12 dB/oct.)  
..... 50 – 200 Hz (variable)  
High Pass Filter Frequency (-12 dB/oct.)  
..... 50 – 200 Hz (variable)  
Bass Boost Circuit (40 Hz) (B channel) ..... 0/ +18 dB

#### General

Operating Voltage ..... 14.4 V (11 – 16 V allowable)  
Current Consumption ..... 40 A  
Installation Size (W × H × D)  
..... 280 × 59 × 238 mm (11 × 2-5/16 × 9-3/8 inch)  
Weight ..... 2.8 kg (6.2 lbs)

---

KENWOOD follows a policy of continuous advancements in development. For this reason specifications may be changed without notice.

---

### KAC-8404 M

#### Audio Section

Max Power Output ..... 600 W (150 W × 4)  
Rated Power Output (+B = 14.4 V)  
Normal (4 Ω) (20 Hz – 20 kHz, 0.08 % THD) ..... 50 W × 4  
Normal (2 Ω) (1 kHz, 0.8 % THD) ..... 75 W × 4  
Bridged (4 Ω) (1 kHz, 0.8 % THD) ..... 180 W × 2  
Frequency Response (+0, -3 dB) ..... 5 Hz – 50 kHz  
Sensitivity (rated output) ..... 0.2 V – 5.0 V  
Input Impedance ..... 10 kΩ  
Signal to Noise Ratio ..... 100 dB  
Low Pass Filter Frequency (-12 dB/oct.)  
..... 50 – 200 Hz (variable)  
High Pass Filter Frequency (-12 dB/oct.)  
..... 50 – 200 Hz (variable)  
Bass Boost Circuit (40 Hz) (B channel) ..... 0/ +18 dB

#### General

Operating Voltage ..... 14.4 V (11 – 16 V allowable)  
Current Consumption ..... 40 A  
Installation Size (W × H × D) ..... 280 × 59 × 238 mm  
Weight ..... 2.8 kg

---

KENWOOD follows a policy of continuous advancements in development. For this reason specifications may be changed without notice.

---

## INSTALLATION

